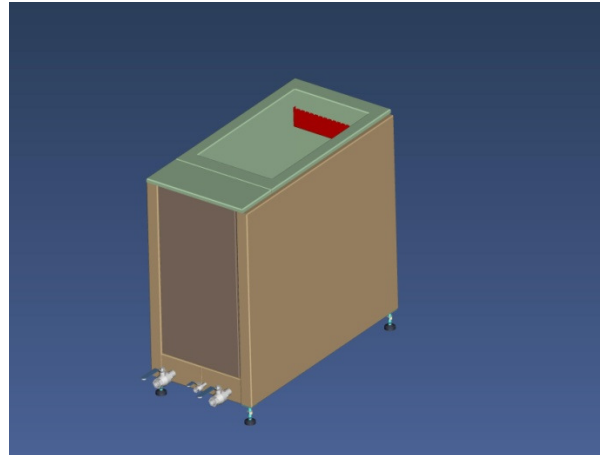
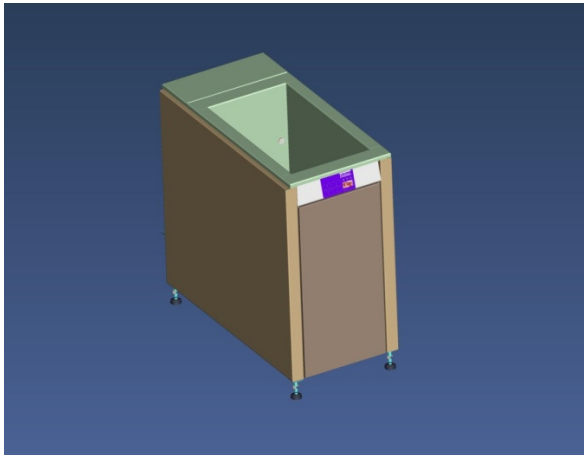


Versa+ ultrasonic cleaners



The Versa+ range of ultrasonic cleaners uses the Si-range turned through 90°, resulting in a much smaller footprint. The new stainless steel sheet metal design allows tanks to be placed side by side into a tight configuration, saving considerable space lengthwise.

The service access door is located at the back of each unit, improving the serviceability. The tanks are fitted with adjustable feet and the ergonomically designed working height is set to 900mm. No separate platforms or frames are needed. The baskets, fluid handling options and other accessories from the Si-range fit the Versa+ modules.

A manual multistage cleaning system (wash-rinse-rinse-dry) with 80 litres has a length of only 1.8m.

Technical Specifications

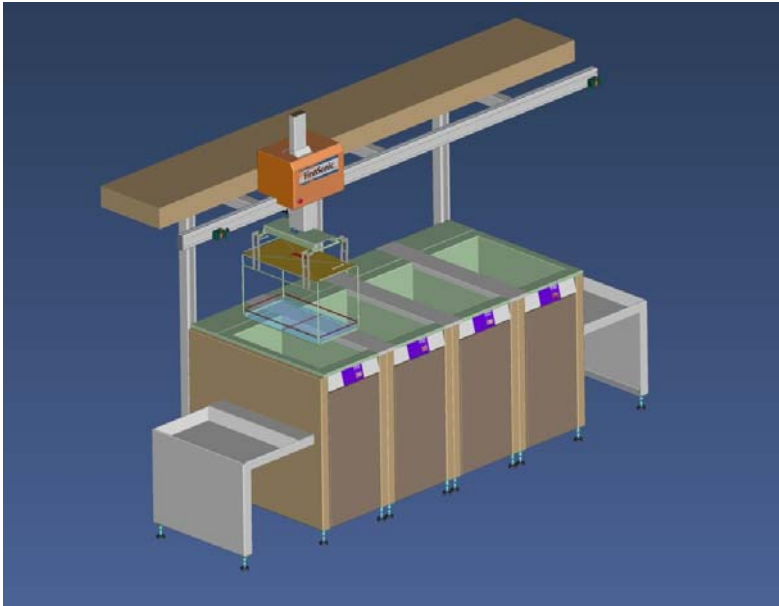
	Outside Dimensions (mm)			Tank effective Dimensions (mm)		
	Length	Width	Height	Length	Width	Height
Si40 Versa+	380	800	900	265	460	300
Si80 Versa+	450	930	900	330	585	400
Si120 Versa+	570	920	900	330	585	460
Si160 Versa+	450	1340	900	330	1180	400

PT Easy Lift

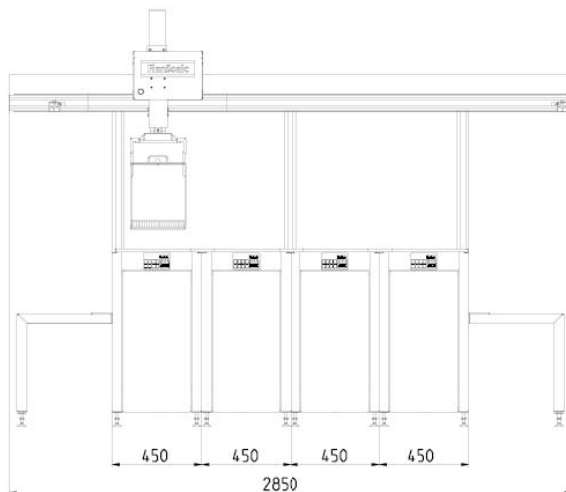
The Si range of PT Easy Lift is designed to move loads up to 40 Kg. Vertical movement is done pneumatically and horizontal movement by hand. PT Easy Lift is available for all Si models including the new Versa+.

Kemet International Limited

Automatic TS s/m Transporter



The Automatic TS s/m transporter is available for 10 or 20 kg loads for Si40 Versa+ and Si80 versa+ models. The 50-series control and power cards are used in the Versa+ automated lines.



A fully automated TS m multistage cleaning system (wash-rinse-rinse-dry) with 80 litres units has an overall length of 2.85m.

Kemet International Limited

Parkwood Trading Estate, Maidstone, Kent ME15 9NJ
Tel: 01622 755287 Fax: 01622 670915
Email: sales@kemet.co.uk Web: www.kemet.co.uk